



DATA SHEET

4/22/2011

Page 1 / 3

Receiver

From

Society
Reference
Address
Telephone
Fax
E-mail

Item no. 102970220

Pump data :

Model :
EUROINOX 30/30 M
Pressure rating : 8 bar (800 kPa)
Min. fluid temperature : 273 K
Max. fluid temperature : 308 K
Max. Temperature operating : 313 K

Requested data :

Flow 0.00 l/s
Head 0.00 m
Fluid : Water, pure
Fluid Temperature : 293 K
Density : 998.3 kg/m³
Kinematic viscosity 1.005 mm²/s
Vapor pressure : 100.00 kPa

Hydraulic data (duty point)

Flow
Head

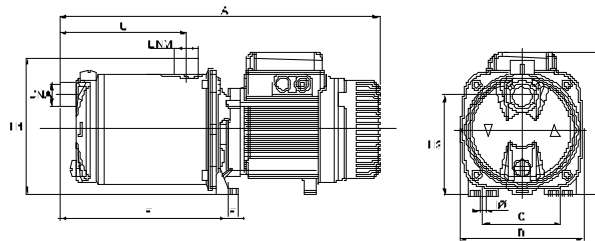
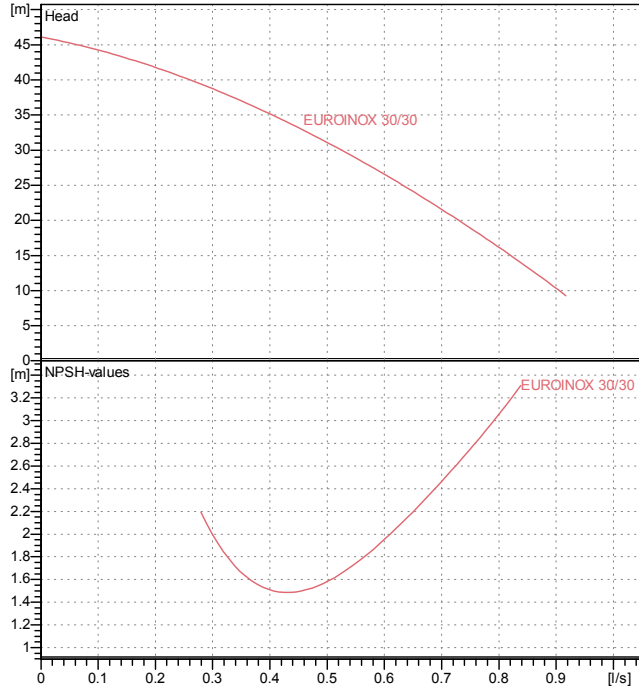
Materials :

Pump body AISI 304 X5 Cr Ni 1810 UNI 6900/71
Impeller Technopoly mer
Shaft with rotor AISI 304 X5 Cr Ni 1810 UNI 6900/71
OR ring Nbr
Diffuser Technopoly mer
Mechanical seal Carbon/Ceramic
Disc seal AISI 304 X5 Cr Ni 1810 UNI 6900/71

Motor data :

Trade mark : DAB
Nominal power P2: 0.45 kW
Rated speed: 2800 1/min
Rated voltage : 1~ 0 V 50 Hz
Nominal current : 0 A
Degree of protection : IP 44

Curve tolerance according to ISO 9906



Dimension

mm

A	439	DNM	1" G	H	193		
B	174	E	241	H1	196		
C	166	F	13.5	H2	143		
DNA	1" G	G	111	IO	9		

Pump connection

Weight : 11.9 kg

Suction side 1" G / 8 bar (800 kPa)
Discharge side 1" G / 8 bar (800 kPa)



PERFORMANCE CURVES

4/22/2011

Page 2 / 3

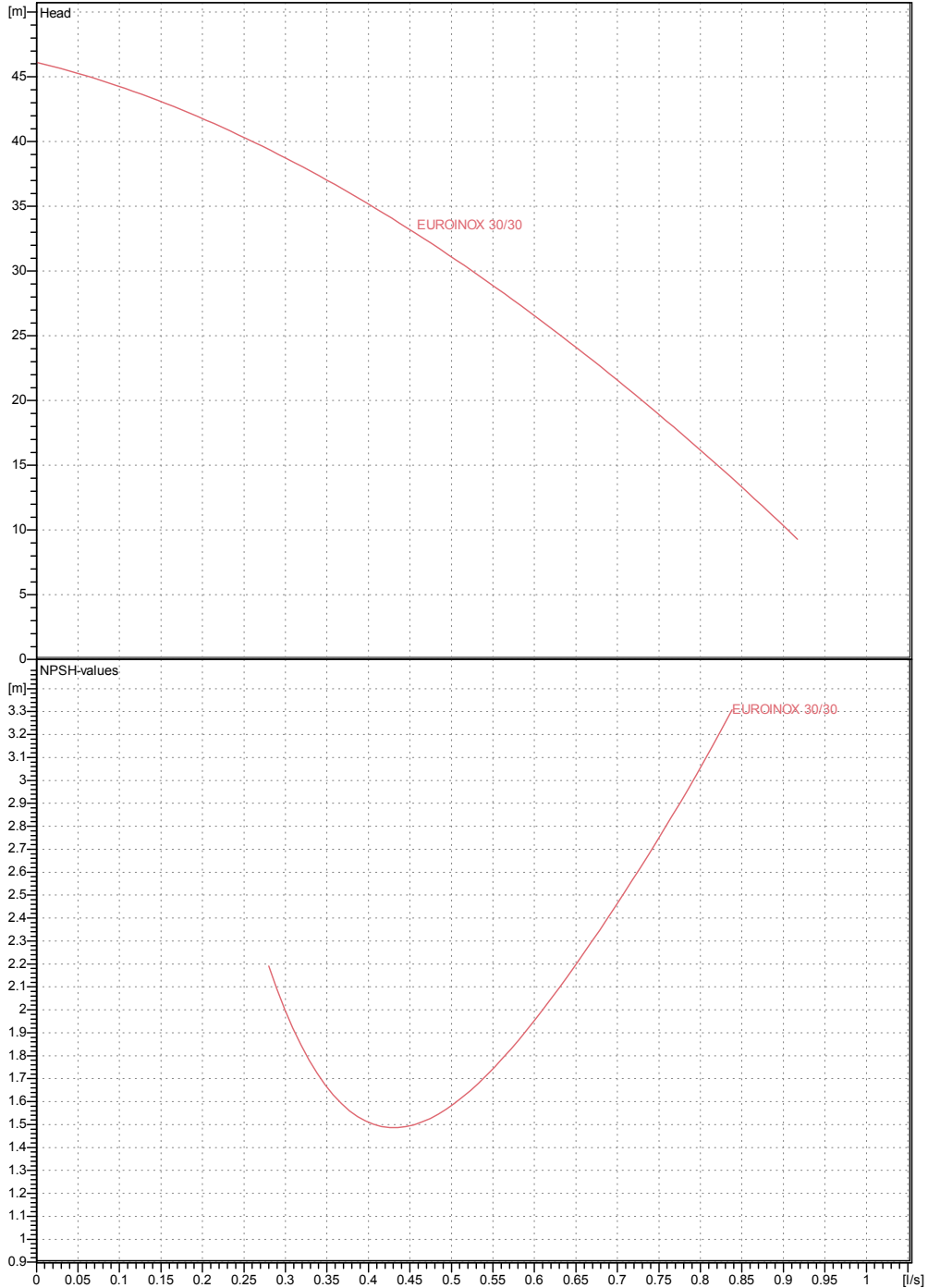
Receiver

From

Society
Reference
Address
Telephone
Fax
E-mail

EUROINOX 30/30 M

Curve tolerance according to ISO 9906



Hydraulic data (duty point)

Suction side 1" G / 8 bar (800 kPa)	Discharge side 1" G / 8 bar (800 kPa)	Flow 0 l/s	Head 0 m	Speed 2800 1/min
Project	Project ID	Created by	Created on 4/22/2011	



DIMENSIONAL DRAWING

4/22/2011

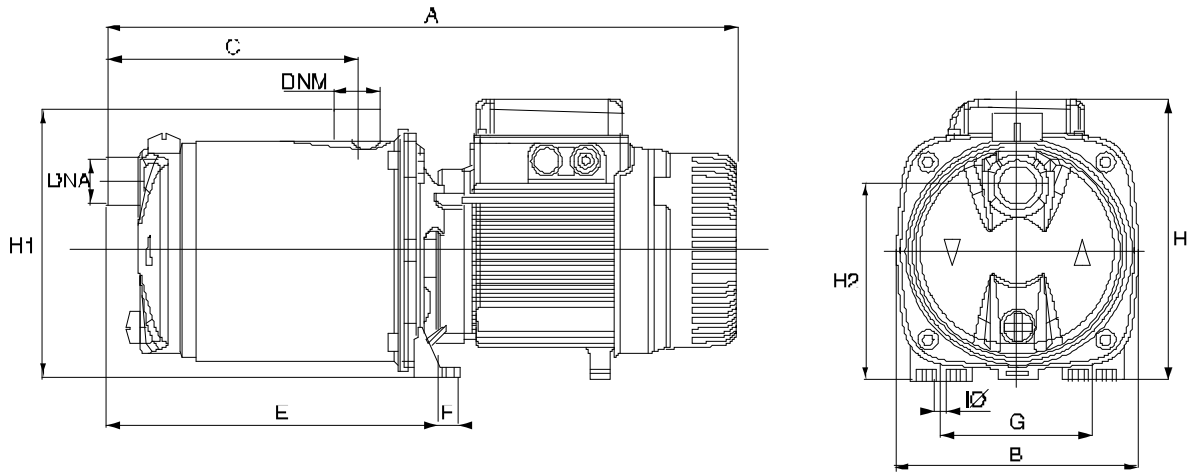
Page 3 / 3

Receiver

From

Society
Reference
Address
Telephone
Fax
E-mail

EUROINOX 30/30 M



Dimensions in mm										Pump connection
1	A	439	H2	143						Suction 1 " G 8 bar (800 kPa) Discharge 1 " G 8 bar (800 kPa)
2	B	174	I O	9						
3	C	166								
4	DNA	1" G								
5	DNM	1" G								
6	E	241								
7	F	13.5								
8	G	111								
9	H	193								
10	H1	196								
Project			Project ID			Created by			Created on 4/22/2011	